



承 认 书

SPECIFICATION FOR APPROVAL

CUSTOMER/客户:	
TYPE/类型:	TOROIDAL TRANSFORMER
PART NO./物料编号:	-----
CUSTOMER'S MATERIAL NO./客户型号:	
OUR MODEL NO./本厂编号:	JL-412RT
DESIGN/编制:	姚 林
APPROVAL/批准:	刘 邵 恒
AUTHORIZED SIGNATURE & COMPANY CHOP 客户认可回签(章)	

东 莞 市 石 碣 君 凌 电 子 厂

Dongguan City Shijie Junling Electronic Factory

地址: 广东省东莞市石碣镇新城崇焕西路108号三楼

TEL: 0769-86363687

FAX: 0769-86363687

E-mail address: dgjunling@163.com

<http://www.dgjunling.com>



ELECTRICAL PERFORMANCE/电气性能

1. ENFORCE STANDARD/执行标准

SAFETY STANDARD/安规标准:

2. ELECTRICAL PERFORMANCE/电气参量

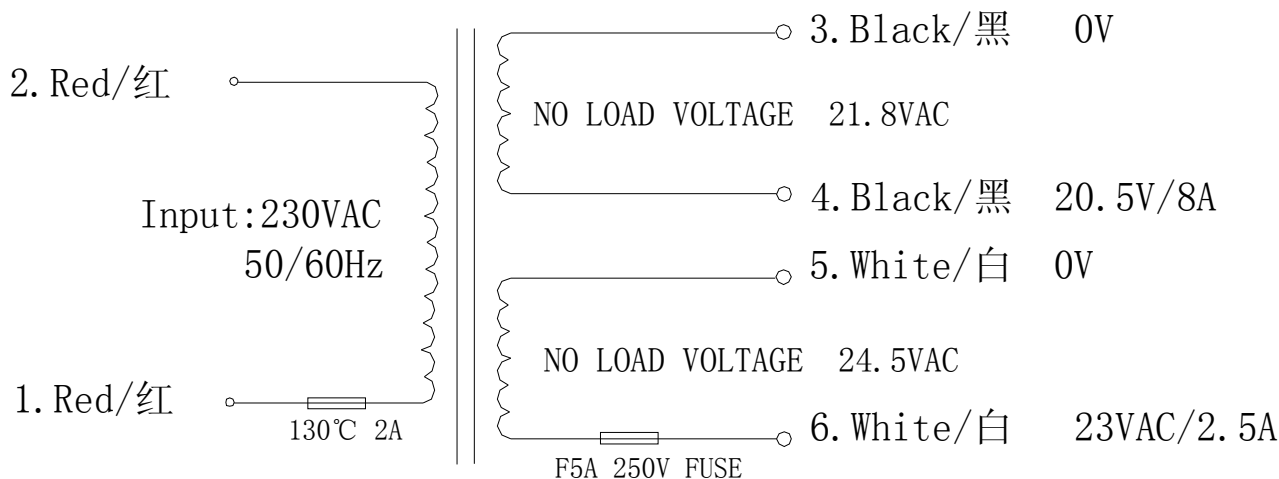
Primary rated voltage/初级额定输入:230VAC/50Hz

Exciting current/最大空载(励磁)电流: 40mA

Secondary rated voltage and current/次级额定输出:

	UNLOAD VOLTAGE 空载电压(VAC±5%)	LOADING VOLTAGE 负载电压(VAC±5%)	RATED CURRENT 额定负载电流(AAC)
S1:3~4	0V~21.8V	0V~20.5V	8A
S2: 5~6	0V~24.5V	0V~23V	2.5A
S3:			
S4:			

3. CIRCUIT DIAGRAM/电路图



4. WORKING AND SAFETY PROTECTION/工作防护及安全保护

- Electrostatic Shield/静电屏蔽 Magnetic Shield/磁屏蔽
 Temperature Protection/温度保护 Over Current Protection/过电流保护

5. INSULATION/绝缘性能

Insulation resistance test (type test)/绝缘电阻测试 (型式测试): Pri.~sec. 500 V DC 100 MΩ MIN.
 HI-POT TEST (100% test)/耐压测试 (100%测试) :Pass our dielectric strength test, without any breakdown
 Pri.~sec. AC 3.75 kV for 60 seconds (leakage current 5 mA MAX)

通过以下绝缘强度测试不产生绝缘崩溃
 初级对次级 AC 3.75 kV 60 秒 (最大漏电流 5 mA);

6. TEMPERATURE RISE/温升性能

Ta=25°C Test by resistance method At rated load 2H WINDINGS' TEMPERATURE RISE °C MAX.
 环境温度为 25°C 电阻法测试 额定负载 2 小时 绕组最大温升为 75°C.

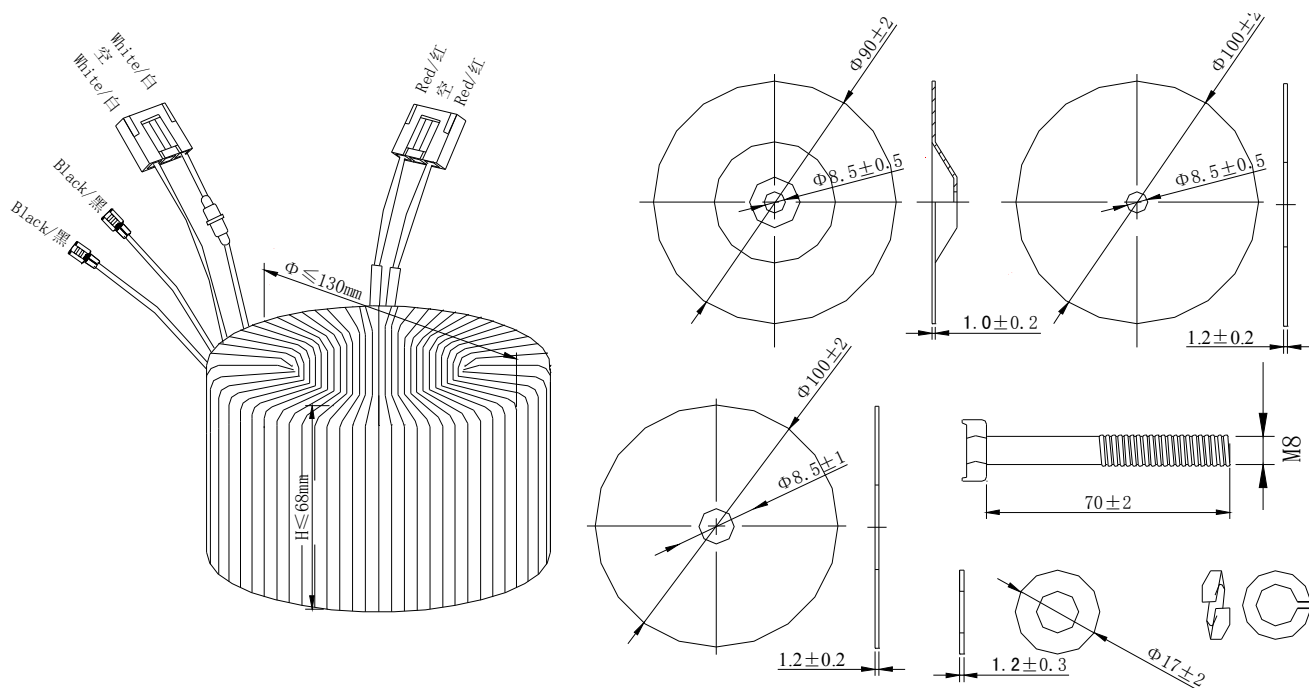
7. MAJOR MEASUREMENT FACILITIES/主要测量设备:

HI-POT TESTER (高压机): CJ2670	INSULATION-RESISTANCE METER(绝缘电阻表): ZC-7
VOL TMETER (电压表): T19-V	DC-RESISTANCE METER (直流电阻表): QJ44
AMPEREMETER (安培表): T19/1-A	



EXTERNAL VIEW/外观

LEADS/引线	PRIMARY/初级	SECONDARY/次级	
LEAD NO./ 引线序号	1~2	3~4	5~6
COLOR/ 颜色	Red/红~ Red/红	Black/黑~ Black/黑	White/白~ White/白
SPECS/ 规格	1672#20AWG	1015#16AWG	1015#18AWG
LENGTH/ 长度(±20)	290mm	300mm	370mm
TERMINAL/ 线端 (±3mm)	3P/3.96VH 中空	187 直型端子含透明护套	3P/3.96VH 中空

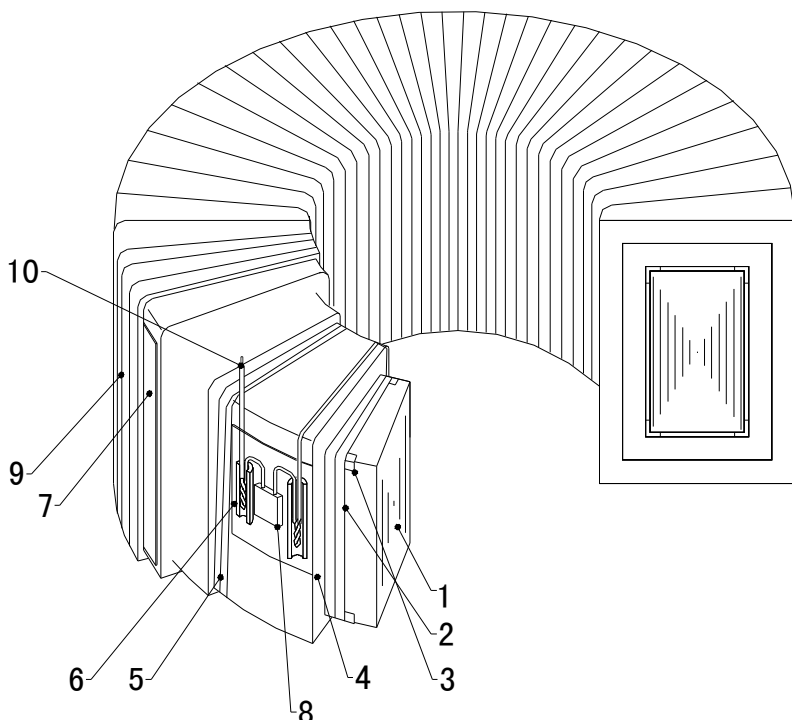


Note: The dimension is not including the leads emergence./ 以上外型尺寸不含出线处。
 The dimension including the leads emergence./外型尺寸含出线处 Ht:68max,Od:130max.

LABEL/标签	WEIGHT/重量(kg)		3.1 ± 0.2
<div style="border: 1px solid black; padding: 5px;"> <p>TOROIDAL TRANSFORMER MODEL:JL-412RT Rating:220VA Input : 0V-230VAC 50Hz Red-Red Output:0V-20.5VAC/8.0A Black-Black 0V-23.0VAC/2.5A White-White Date:2016-12-20 94V-2</p> </div>	ACCESSORIES/附件		
	1	METAL WASHER/环牛盖黑	I.D.:8.5±0.5, O.D.:90±2,THK.:1.2±0.2, 1PCS
	2	RUBBER WASHER/橡胶垫	I.D.:8.5±1, O.D.:100±2,THK.:1.2±0.2, 2PCS
	3	SCREW/螺栓	M8×70(不包螺帽), 1PCS
	4	HEX NUT/螺母	M8, 1PCS
	5	WASHER/平垫	I.D.:8.5±0.5, O.D.:17±2,THK.:1±0.3, 2PCS
	6	LOCK WASHER/弹垫	I.D.:8.5±0.5, O.D.:13±1,THK.:.2±03, 1PCS
	7	RUBBER WASHER/橡胶垫	
	8	METAL WASHER/方型盖(四方孔)	



CONSTRUCTION & MATERIAL LIST/结构及材料明细



NO: 序号	DENOMINATION 名称	MATERIAL 材料	型号	SUPPLIERS 供应商	认 证	CERTIFI CATE NUMBER 认证号	绝缘 等级
1	Annular core 环形铁芯	Cold rolling directional silicon steel 取向硅钢带		NIPPON STEEL CO. or equivalent	—	-----	
2	Insulation protection 绝缘保护	Mylar 麦拉胶带	PZ	JINJIANG YAHUA PRESSURE SENSITIVE GLUE CO LTD or equivalent	UL	E165111	B
3	Core Insulation 铁芯绝缘	Polyester 5C 聚酯薄膜 5C	Mylar EL	DUPONT TEIJIN FILMS U S LP or equivalent	UL	E93687	A
4	Pri.Winding 次级绕组	Enamelled copper wire 漆包圆铜线	PEW-2	NINGBO JINTIAN NEW MATERIAL CO LTD or equivalent	UL	E227047	B
5	Sec.Winding 次级绕组	Enamelled copper wire 漆包圆铜线	PEW-2	NINGBO JINTIAN NEW MATERIAL CO LTD or equivalent	UL	E227047	B
6	Terminal cannula 接头护套	FIBER SET TUBE 纤维套管	Φ 2mm Φ 3mm	FUNGLI GLASS PRODUCTS CO LTD or equivalent	UL	E238355	H
7	Insulation protection 保护胶	Mylar 麦拉胶带	PZ	JINJIANG YAHUA PRESSURE SENSITIVE GLUE CO LTD or equivalent	UL	E165111	B
8	Temperature Protection 温度保护	Thermal Fuse 温度保险丝	AUPO A4 130℃ 2A 250V	AUPO ELECTRONICS LTD or equivalent	UL	E140847	B
9	Coating insulation 外包绝缘	Polyester 5C 聚酯薄膜 5C	Mylar EL	DUPONT TEIJIN FILMS U S LP or equivalent	UL	E93687	A
10	Lead 引线	UL WIRE 认证电子线	UL1672 1015	SHENZHEN DONG JU WIRE &CABLE CO LTD. QIFURUI ELECTRONICS CO. or equivalent UL recognized wire	UL	E189674 E211048 E328303	A