



承 认 书

SPECIFICATION FOR APPROVAL

CUSTOMER/客户:	
TYPE/类型:	TOROIDAL TRANSFORMER
PART NO./物料编号:	-----
CUSTOMER'S MATERIAL NO./客户型号:	PS650
OUR MODEL NO./本厂编号:	JL-612RT
DESIGN/编制:	姚 林
APPROVAL/批准:	刘邵恒
AUTHORIZED SIGNATURE & COMPANY CHOP 客户认可回签(章)	

东 莞 市 石 碣 君 凌 电 子 厂

Dongguan City Shijie Junling Electronic Factory

地址: 广东省东莞市石碣镇新城崇焕西路108号三楼

TEL: 0769-86363687

FAX: 0769-86363687

E-mail address: dgjunling@163.com

<http://www.dgjunling.com>



ELECTRICAL PERFORMANCE/电气性能

1. ENFORCE STANDARD/执行标准

SAFETY STANDARD/安规标准: EN61558-1

2. ELECTRICAL PERFORMANCE/电气参数

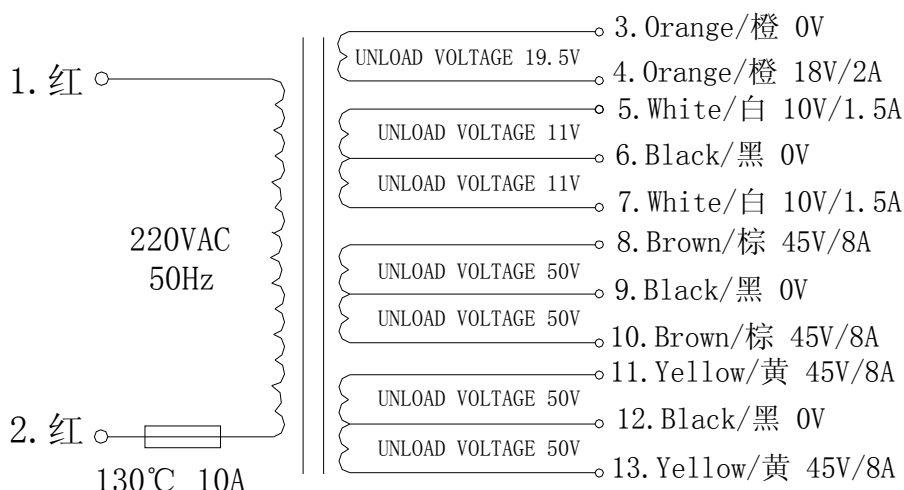
Primary rated voltage/初级额定输入: 0~220VAC 50/60Hz

Exciting current/最大空载(励磁)电流:40mA (230V/50Hz) 铁损小于 6W

Secondary rated voltage and current/次级额定输出:

	UNLOAD VOLTAGE 空载电压(VAC±5%)	LOADING VOLTAGE 负载电压(VAC±5%)	RATED CURRENT 额定负载电流(AAC)
S1:3~4	0~19.5V	0~18V	2A
S2:5~6~7	11V~0~11V	10V~0~10V	1.5A
S3:8~9~10	50V~0~50V	45V~0~45V	8A
S4: 12~11~13	50V~0~50V	45V~0~45V	8A

3. CIRCUIT DIAGRAM/电路图



4. WORKING AND SAFETY PROTECTION/工作防护及安全保护

- Electrostatic Shield/静电屏蔽 Magnetic Shield/磁屏蔽
 Temperature Protection/温度保护 Over Current Protection/过电流保护

5. INSULATION/绝缘性能

Insulation resistance test (type test)/绝缘电阻测试 (型式测试): Pri.~sec. 500V DC 100 MΩ MIN.

HI-POT TEST (100% test)/耐压测试 (100%测试) :Pass our dielectric strength test, without any breakdown

Pri.~sec. AC 3.5kV for 60 seconds (leakage current 3mA MAX)

通过以下绝缘强度测试不产生绝缘崩溃

初级对次级 AC 3.5kV 60 秒 (最大漏电流 3mA);

6. TEMPERATURE RISE/温升性能

Ta=25°C Test by resistance method At rated load 2H WINDINGS' TEMPERATURE RISE °C MAX.

环境温度为 25°C 电阻法测试 额定负载 2 小时 绕组最大温升为 75°C.

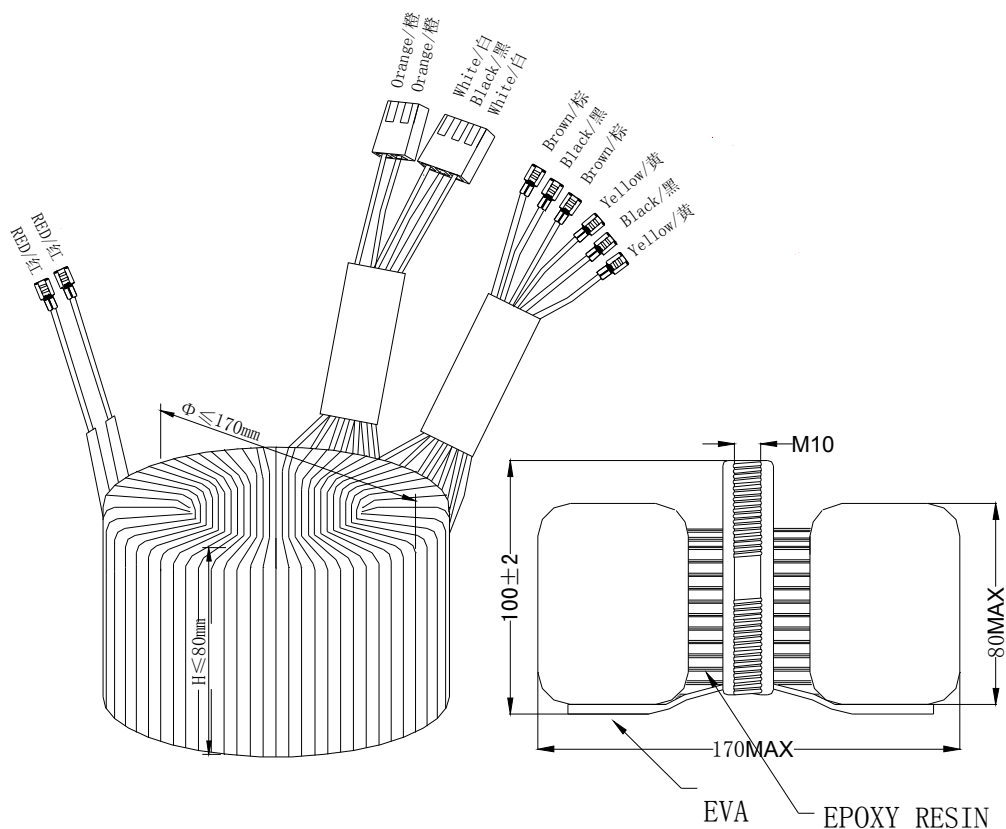
7. MAJOR MEASUREMENT FACILITIES/主要测量设备:

HI-POT TESTER (高压机): CJ2670	INSULATION-RESISTANCE METER(绝缘电阻表): ZC-7
VOL TMETER (电压表): T19-V	DC-RESISTANCE METER (直流电阻表): QJ44
AMPEREMETER (安培表): T19/1-A	



EXTERNAL VIEW/外观

LEADS/引线	PRIMARY/初级	SECONDARY/次级			
LEAD NO./ 引线序号	1~2	3~4	5~6~7	8~9~10	11~12~13
COLOR/ 颜色	Red/红~ Red/红	Orange/橙~ Orange/橙	White/白~Black/ 黑~ White/白	Brown/棕~ Black/ 黑~ Brown/棕	Yellow/黄~ Black/黑 ~ Yellow/黄
SPECS/ 规格	UL 1015 16AWG	UL 1015 20AWG		1015#14AWG	UL 1015 14AWG
LENGTH/ 长度(±10mm)	200mm	400mm	400mm	300mm	300mm
TERMINAL/ 线端	JET2	2P/3.96	3P/3.96	PC250	PC250

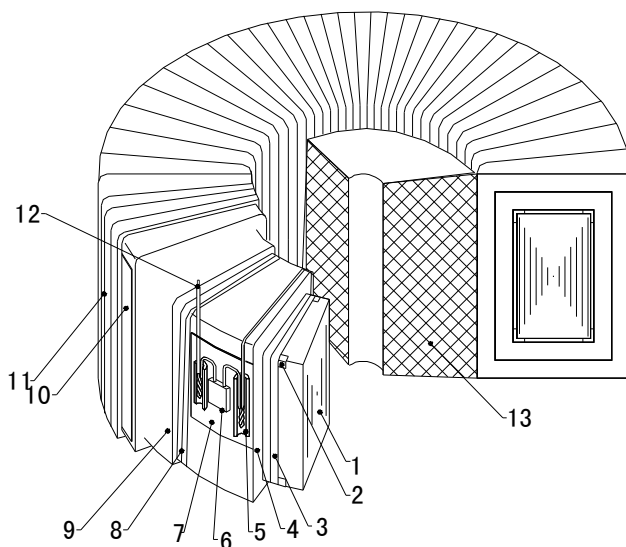


Note: The dimension is not including the leads emergence./ 以上外型尺寸不含出线处。
 The dimension including the leads emergence./外型尺寸含出线处 Ht:80max,Od:170max.

LABEL/标签	WEIGHT/重量(kg)	9.6 ± 0.2	
	ACCESSORIES/附件		
	1	METAL WASHER/环牛盖	
	2	RUBBER WASHER/橡胶垫	ID.:10.5 ± 1, O.D.:150 ± 2, THK.:1.2 ± 0.1, 1PCS
	3	SCREW/螺栓	M10 × 25(不包螺帽), 2PCS
	4	HEX NUT/螺母	
	5	WASHER/平垫	
	6	LOCK WASHER/弹垫	
	7	RUBBER WASHER/橡胶垫	
8	METAL WASHER/方型盖(四方孔) (四个螺纹孔)		



CONSTRUCTION & MATERIAL LIST/结构及材料明细



NO: 序号	DENOMINATION 名称	MATERIAL 材料	型号/规格	SUPPLIERS 供应商	认证	CERTIFICATE NUMBER 认证号
1	Annular core 环形铁芯	Cold rolling directional silicon steel 取向硅钢带	Z11 0.23mm-0.35 mm	NIPPON STEEL CO. or equivalent	—	----
2	Insulation protection 绝缘保护	Mylar 麦拉胶带	PZ 11mm	JINJIANG YAHUA PRESSURE SENSITIVE GLUE CO LTD or equivalentt	UL	E165111
3	Core Insulation 铁芯绝缘	Polyester 5C 聚脂薄膜 5C	Mylar EL 15mm×0.05mm	DUPONT TEIJIN FILMS U S LP or equivalent	UL	E93687
4	Pri. Winding 初级绕组	Enamelled copper wire 漆包圆铜线	PEW-2	TAI-I ELECTRIC WIRE & CABLE CO LTD or equivalent	UL	E85640 (S)
5	Terminal cannula 接头护套	FIBER SET TUBE 纤维套管	QFR-SF Φ 3mm	QIFURUI ELECTRONICS CO or equivalent	UL	E255609
6	Temperature Protection 温度保护	Thermal Fuse 温度保险丝	130°C 10A 250V	AUPO ELECTRONICS LTD XIAMEN SET ELECTRONICS CO LTD or equivalent	UL	E140847 E214712
7	Termial uderlay 接头垫护	Polyester 7C 聚脂薄膜 7C	Mylar EL	DUPONT TEIJIN FILMS U S LP or equivalent	UL	E93687
8	Pri. Insulation 初级绝缘	Polyester 5C 聚脂薄膜 5C	Mylar EL 15mm×0.05mm	DUPONT TEIJIN FILMS U S LP or equivalent	UL	E93687
9	Sec. Winding 次级绕组	Enamelled copper wire 漆包圆铜线	PEW-2	TAI-I ELECTRIC WIRE & CABLE CO LTD or equivalent	UL	E85640 (S)
10	Insulation protection 保护胶	Mylar 麦拉胶带	PZ	JINJIANG YAHUA PRESSURE SENSITIVE GLUE CO LTD or equivalentt	UL	E165111
11	Coating insulation 外包绝缘	Polyester 5C 聚脂薄膜 5C	Mylar EL 15mm×0.05mm	DUPONT TEIJIN FILMS U S LP or equivalent	UL	E93687
12	Lead 引线	UL WIRE 认证电子线	1015#16AWG 1015#20AWG 1015#14AWG	SHENZHEN DONG JU WIRE & CABLE CO LTD. QIFURUI ELECTRONICS CO. or equivalent UL recognized wire	UL	E189674 E211048
13	Potted resin 环氧	Potted resin 环氧树脂	LG9001A/B	LIGU ELECERONIC MATERIAL CO.,LTD. or equivalent	UL	E305307